



# राष्ट्रीय प्रौद्योगिकी संस्थान सिलचर

## National Institute of Technology Silchar

(राष्ट्रीय महत्व का संस्थान )

(An Institute of National Importance)

असम / Assam-788010

फोन/Phone : (03842) 224879

वेब/Web

: <http://www.nits.ac.in>

E-mail : [director@nits.ac.in](mailto:director@nits.ac.in)

फैक्स/Fax : (03842) 224797

ई पी ए बी एक्स/EPABX

: 233841-5100/5101

NITS/PS-103/CE/Corrigendum/21

Date: 12.04.2021

### Corrigendum

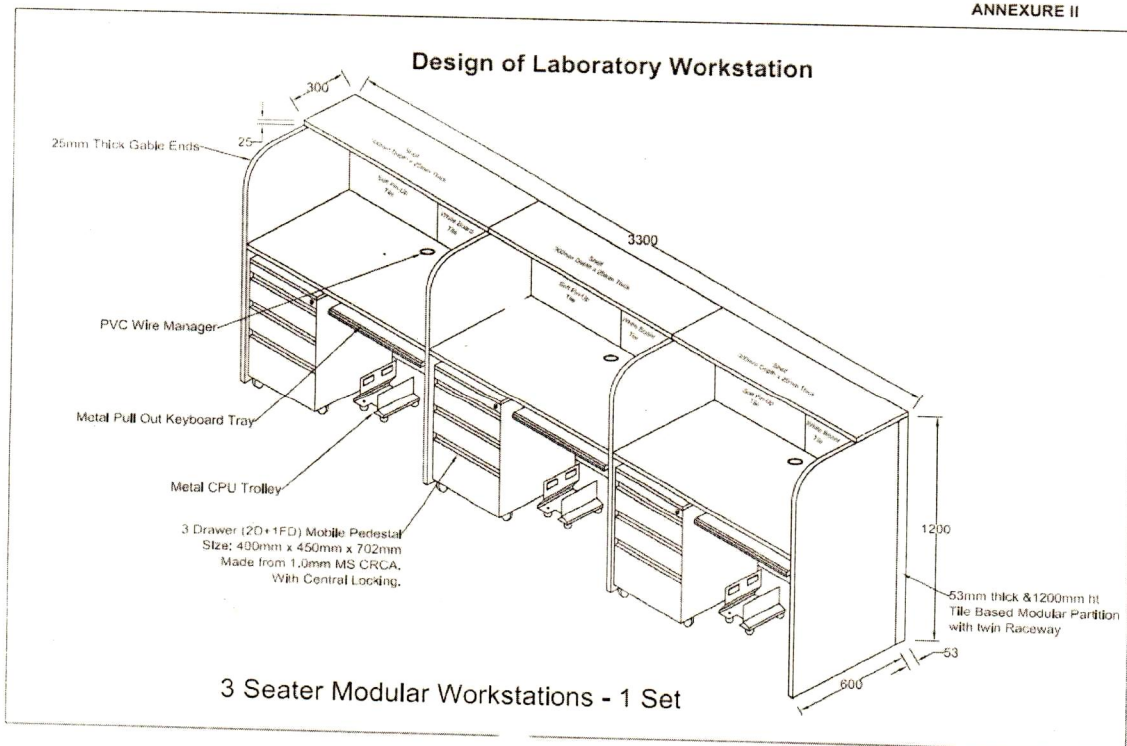
Sub. AMENDMENT IN TECHNICAL SPECIFICATION OF REQUIRED ITEM

REF.: TENDER NO. NITS-PS-103-CE-UPGRADATION OF ENV ENGG. LAB-(ET)-2021 DATED: 17.03.2021

1. The quantity of the laboratory stools as per specifications mentioned in tender is as follows

- Laboratory stools (castor wheel) 5 (five) nos.
- Laboratory stools 25 (Twenty five) nos.

2. The drawing for laboratory workstation to be provided as per specifications is as follows and given as Annexure II.



*[Handwritten Signature]*  
12/4/2021

Nodal Officer  
E-tendering  
**Nodal Officer**  
**E-Tendering**

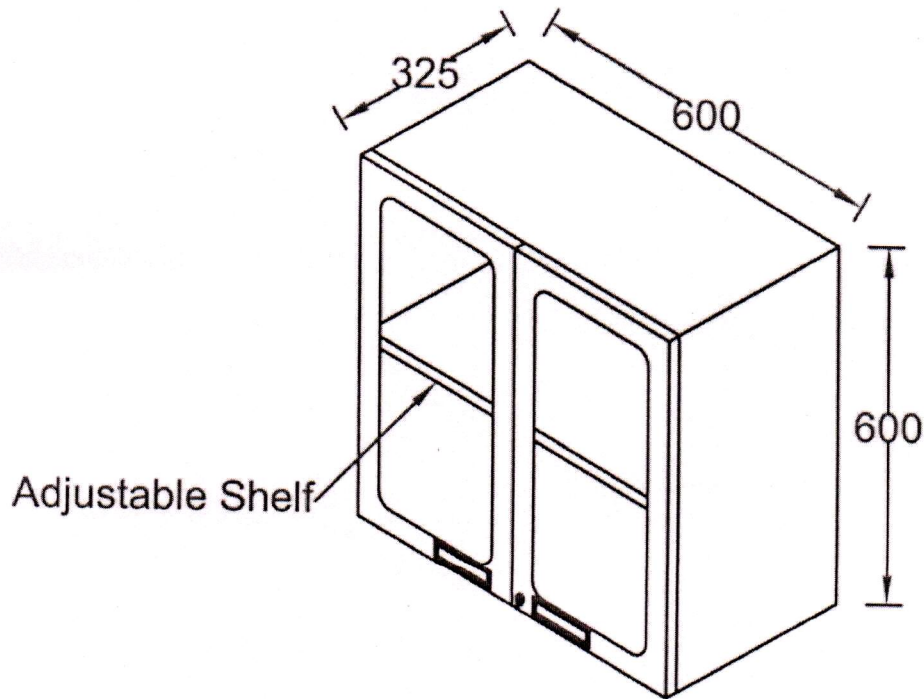
3. **Standard Overhead wall mount cabinets (16nos.)** need to be provided as per following specifications and drawing and installed in laboratory

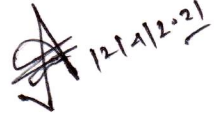
**Technical Specifications for Standard Overhead wall mount cabinets (16 nos)**

Completely made of 1 mm (+/-0.1mm) GI sheets as per IS 277 standards. The shutter shall have clear float glass of 6mm thickness. The shutters should be mounted to the modules by hinges which are openable to 270 degree with knuckle butt hinge. The modules shall have an adjustable shelf. All modules must have lock and dual key and aluminium recessed handles. Complete module should be processed with 8 tank pre-treatment and finished with highly corrosion resistant epoxy powder coating with 70-80 microns thickness and 1000 hours salt spray test passed.

**Size of the Modules: 600mm L x 325mm B x 600mm H**

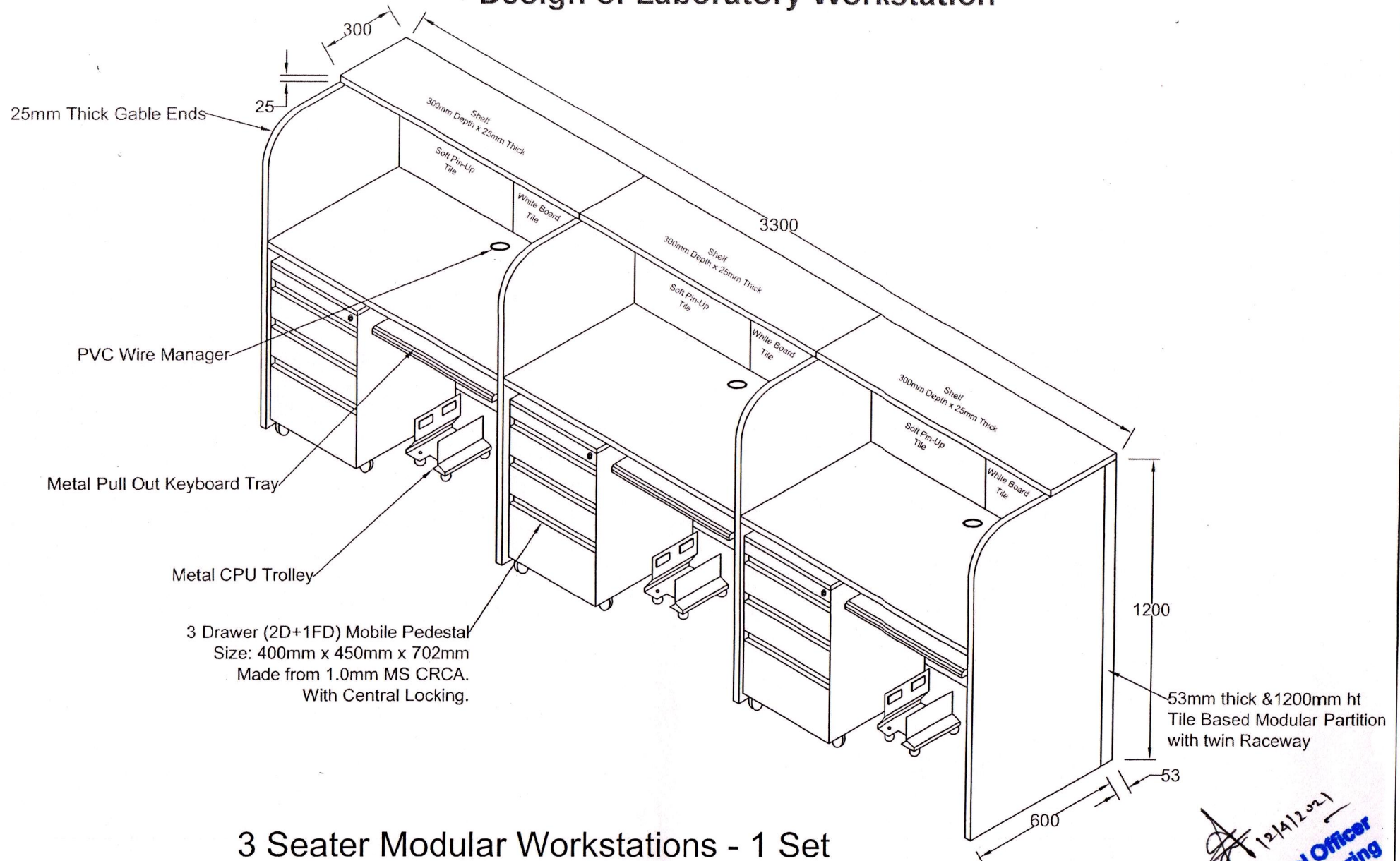
**Quantity Required: 16 Nos.**



  
Nodal Officer  
E-tendering  
**Nodal Officer**  
**E-Tendering**

**Note: The last date of submission of e-tender is hereby extended up-to 25<sup>th</sup> April, 2021 Time: 15.00HRS and Technical Bid will be opened on 26<sup>th</sup> April, 2021 at 16.00HRS.**

### Design of Laboratory Workstation



12/14/2021  
Nodal Officer  
E-Tendering